

MQ15-X-Power male 0° shielded with cable

PUR 4x2,5 or UL/CSA+drag chain 3,0m

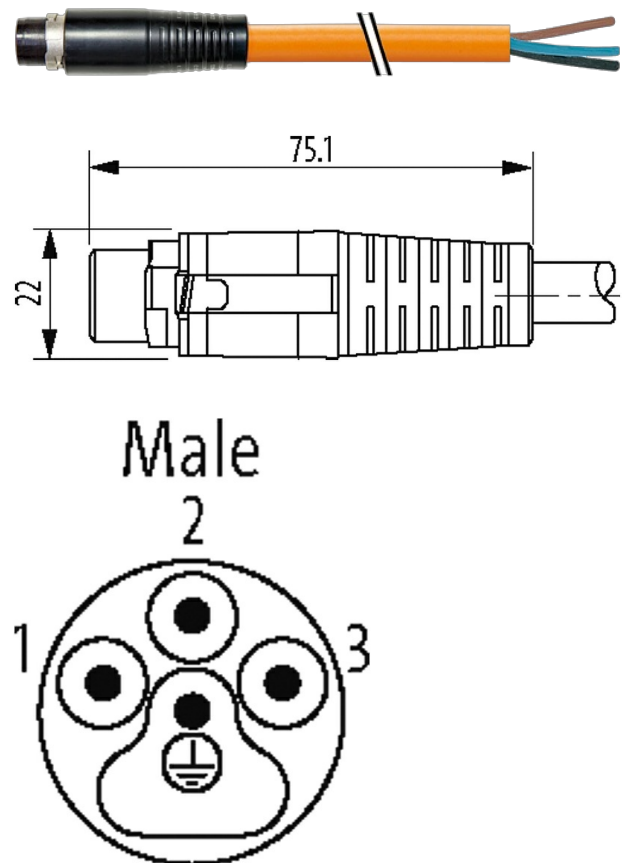
Male straight
MQ15, 4-pole
shielded

without cable sleeves

Plastic housings with good resistance against chemicals and oils.

The resistance to aggressive media should be individually tested for your application. Further details on request.

Further cable lengths on request.

[Link to Product](#)**Illustration**

Product may differ from Image

Form

Form P8001

General data

| | |
|----------------------------|--|
| Mounting method | inserted, tightened |
| Material (contact carrier) | PA |
| Material (contact) | Copper alloy |
| Material (contact surface) | Ag |
| Stripping length (jacket) | 30 mm |
| Pollution Degree | 3 |
| Temperature range | -25...+80 °C, depending on cable quality |

| Cables | |
|-------------------------------|--|
| Cable number | P13 |
| No./diameter of wires | 4 x 2.5 mm ² |
| Wire isolation | TPM (bk num, gnye) |
| C-track properties | 5 Mio. |
| Jacket Color | orange |
| Material (jacket) | PUR (UL) |
| Outer Ø | 10.6 mm ±5% |
| Bend radius (moving) | 7.5 x outer Ø |
| Temperature range (fixed) | -50...+80 °C |
| Temperature range (mobile) | -35...+70 °C |
| Cable identification | P13 |
| Cable weight [g/m] | 149,6 |
| Material (wire) | Cu wire, bare |
| Diameter (core) | 4 x 2.5 mm ² |
| Color/numbering of wires | bk numbered, gnye longitudinally striped |
| Shield | yes |
| | approx. 85% |
| Material (jacket) | PUR |
| Outer-Ø (jacket) | 10.6 mm ±5% |
| Color (jacket) | orange |
| thermal resistance | flame retardant |
| Nominal voltage | 1000 V AC |
| Test voltage | 4000 V |
| Temperature range (fixed) | -50...+80 °C |
| Temperature range (mobile) | -35...+70 °C |
| Bend radius (fixed) | 4 x outer-Ø |
| Bend radius (moving) | 7.5 x outer Ø |
| Traversing distance (C-track) | max. 5 m (horizontal) |
| Travel speed (C-track) | max. 3 m/s |
| Acceleration (C-track) | max. 5 m/s ² |
| Torsion stress | ±15 °/m |
| Technical Data | |
| Operating voltage | max. 600 V AC |
| Rated surge voltage | 4.0 kV |
| Operating current per contact | max. 16 A |
| Material group | IEC 60664-1, category I |
| No. of poles | 4 |
| Configuration | fully used |
| LED display | no |
| Locking of ports | Quick connection, 1/4 turn |
| Protection | IP67 inserted and tightened (EN 60529) |
| Material | Flame retardant plastic acc. to (UL 94) |
| Mating cycles | ≥ 500 |
| Commercial data | |
| country of origin | DE |
| customs tariff number | 85444290 |
| EAN | 4048879738378 |
| eClass | 27279221 |

Packaging unit

1